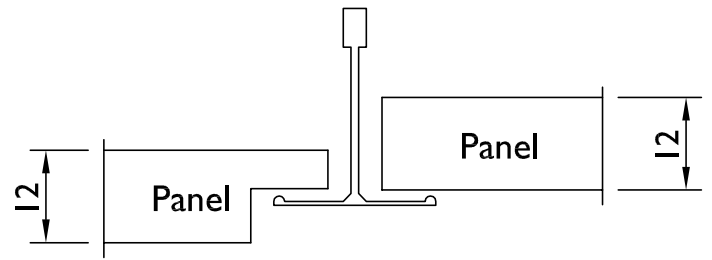


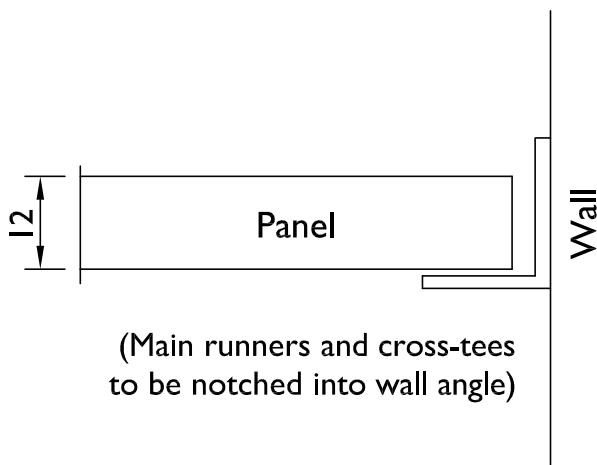
Section Detail 1

Rebated to Rebated Edge



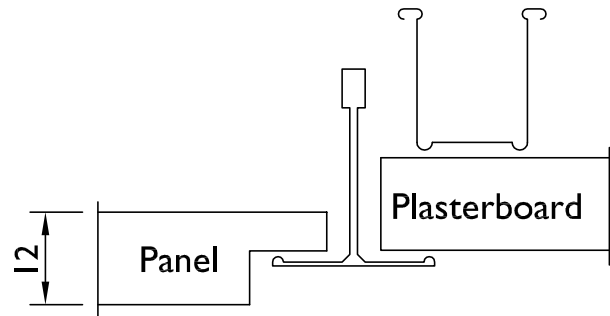
Section Detail 2

Rebated to Flat Perimeter Panel



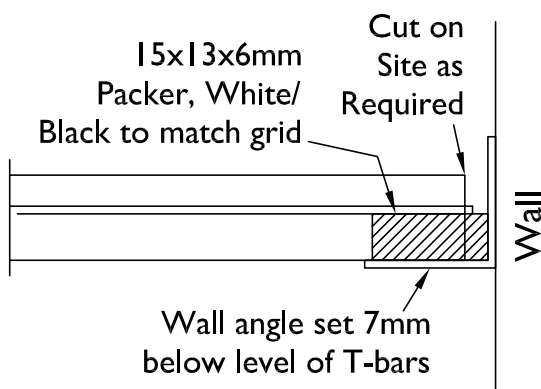
Section Detail 3

Perimeter Panel to Wall



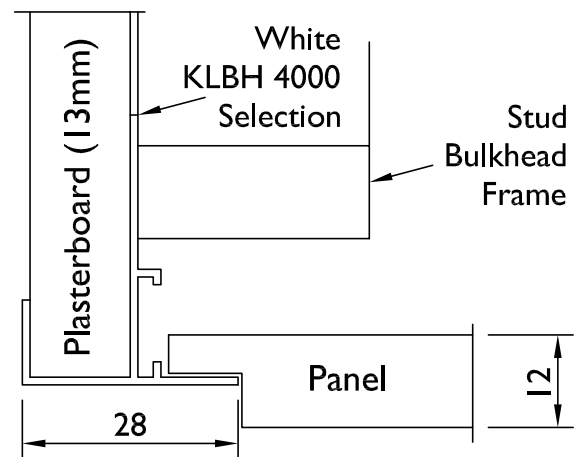
Section Detail 4

Rebated to Plasterboard Perimeter



Section Detail 5

Rebated Panel to Wall



Section Detail 6

Panel to Plasterboard Bulkhead

REBATED DROP - IN CEILING SYSTEM

SW415R

FULLY ACCESSIBLE JOINT DETAILS

DATE

07-10-10

SCALE

1:1

DRAWING #

1140